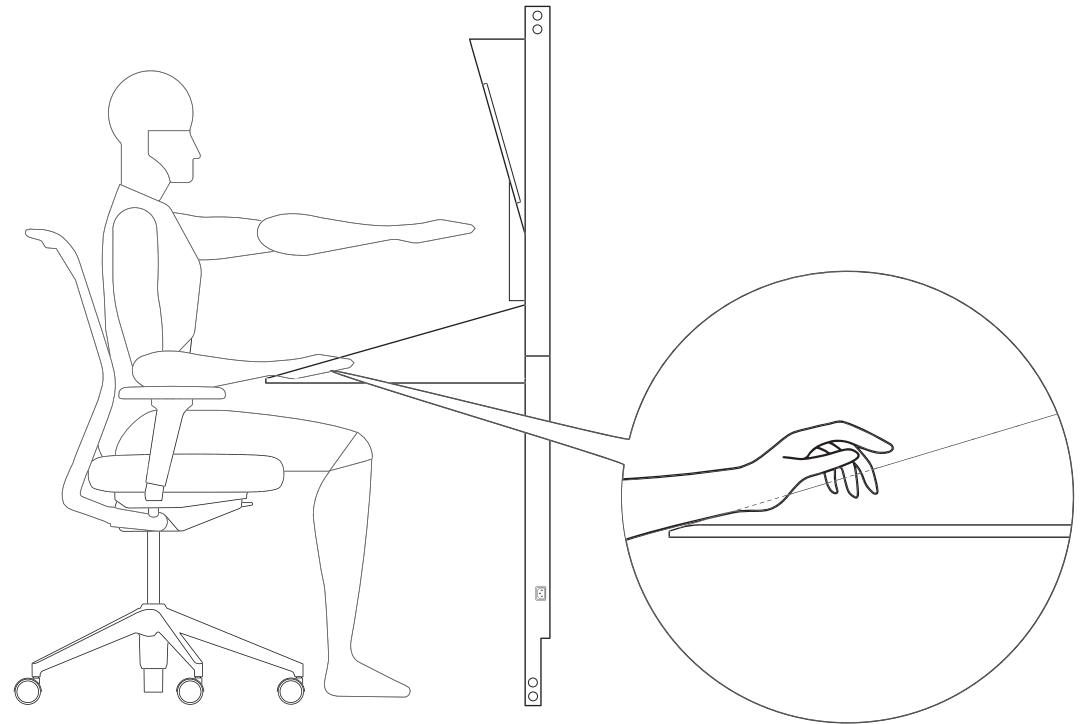
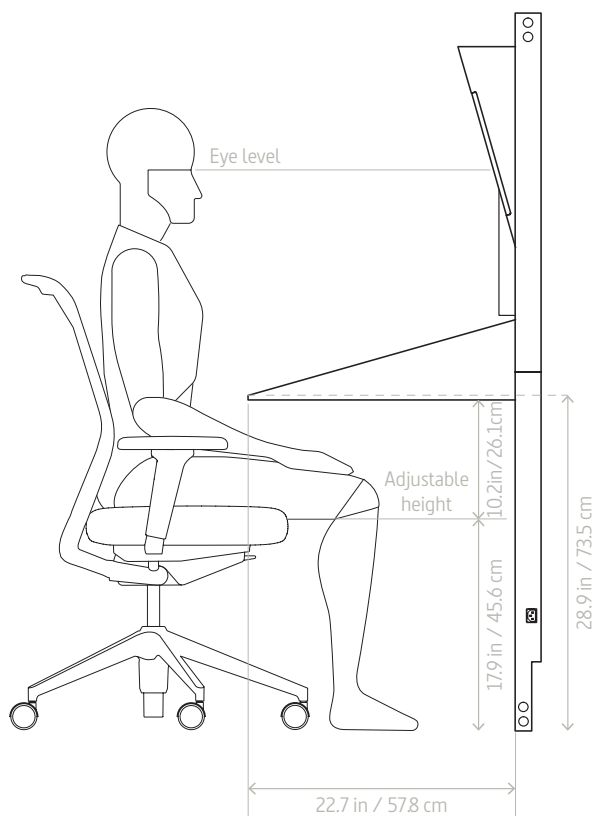


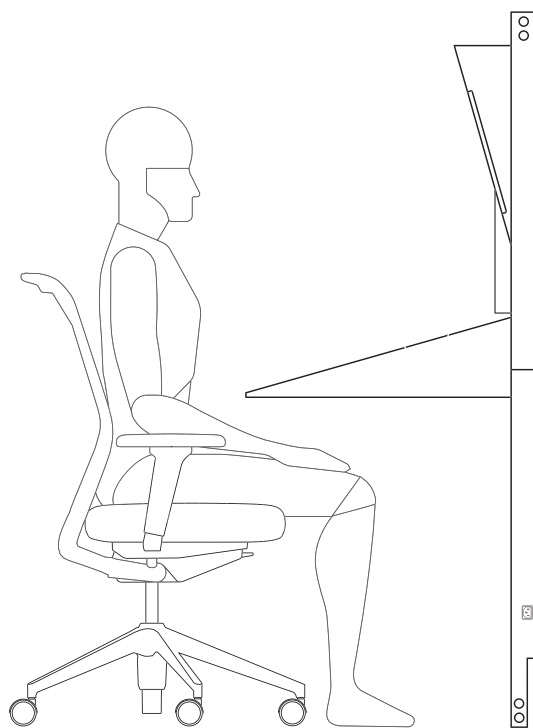
# ERGONOMICS

BEAKTOR's design reflects the ergonomic principles that counteract physical static-postural and visual stress, promoting comfort and preventing visual fatigue and musculoskeletal disorders.

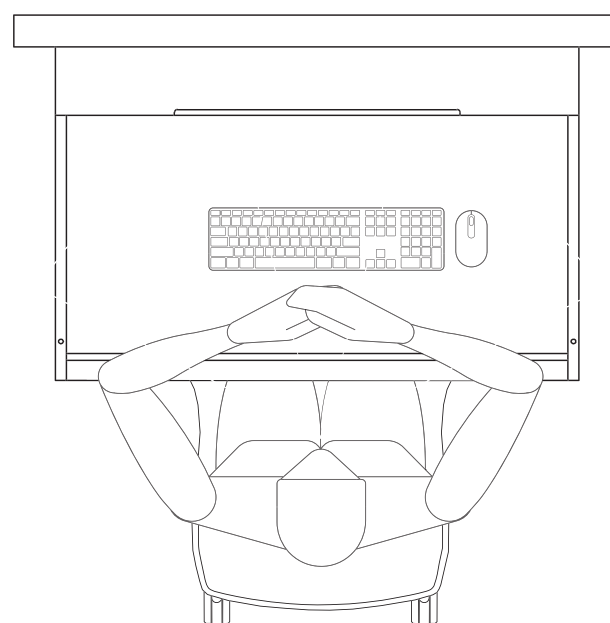
Anthropometrically, the size, shape, and adjustability are reflected in BEAKTOR's work surface and control panel. These allow the user to place all desktop items and workstation components within optimal reach, making it easier to adopt ergonomic postures and comfort angles for the various parts of the body.



The edge of the work surface allows the wrist to stay in a neutral position.



BEAKTOR's vertical design favours acoustic, thermal and light comfort by incorporating perforated cork board and direct or diffuse lighting with a high colour rendering index (CRI>90).



To combat eye strain, BEAKTOR sets an 'eye-to-screen' distance of around 23 in/60 cm and an optimal field of vision in both the vertical and horizontal planes.